

LA38 Ordering Example :

LA38. A 2 . 3 - 20 D 1 2UL 22

MAIN POWER (Only for Plug selected C)

Blank: When Plug is selected D , J or X

10= 100V

12= 120V

22= 220V

POWER TYPE (Only for Plug selected C)

Blank : When Plug is selected D, J or X

2 UL : STRAIGHT , UL , CABLES

2 EU : STRAIGHT , EU , CABLES

2 JP : STRAIGHT , JP , CABLES ★

2 UK : STRAIGHT , UK , CABLES ★

2 IN : STRAIGHT , IN , CABLES★

2 AU : STRAIGHT , AUS , CABLES★

CABLE LENGTH

1 : 1M ★

2 : :2M

3 : 3M ★

TYPE OF PLUG

D : DIN

J : JACK

X : WITHOUT PLUG

C : WITH HB31-S-C0 & AD01 (Transformer)

STROKE LENGTH

20= 200mm (A2)

30= 300mm (A2) (S2 only)

SPINDLE PITCH

4 : 4 mm (A2) (S2 only)

9 : 9 mm (A2) ★

SECTIONS

2 : 2 (sections)

STRUCTURE

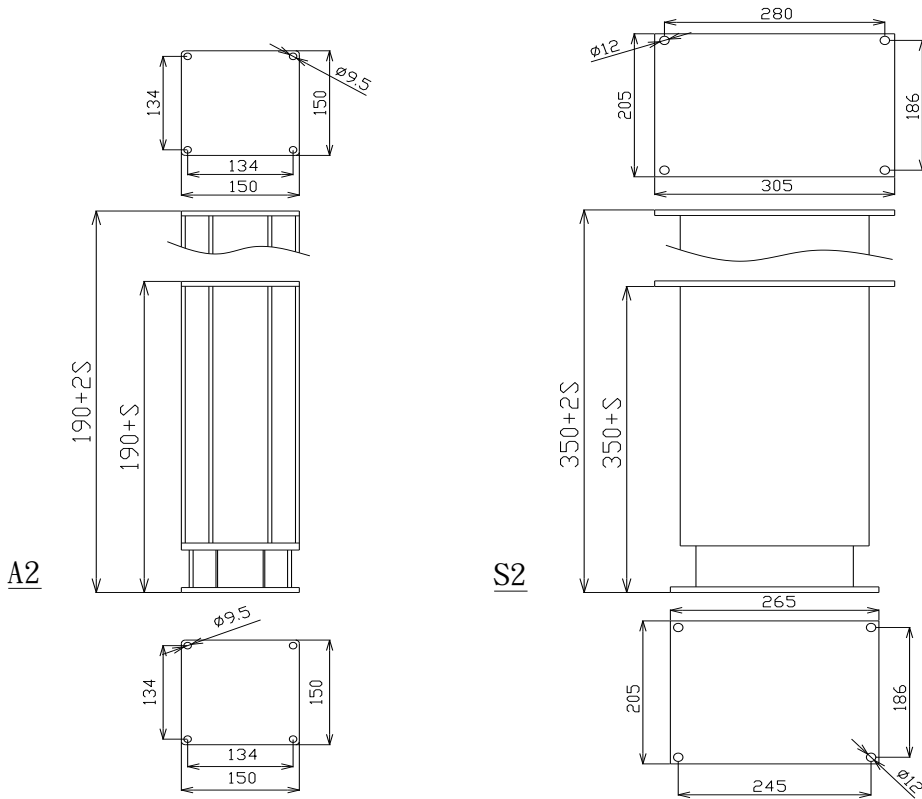
A : With actuator inside — Aluminum Alloy

S : With actuator inside — Steel ★

ACTUATOR TYPE LA38-BASIC

The 「★」 signal is for special specification..

Dimensions :



LA38.A2 Basic Installation Dimension :

Stroke Length mm	200	300
Basic Installation Dimension mm	390	490
Lifting Total Height mm	590	790

LA38.S2 Basic Installation Dimension :

Stroke Length mm	300
Basic Installation Dimension mm	650
Lifting Total Height mm	950

Notice :

- ◆ Stroke length: There are two specifications for LA38.A2: 200mm and 300mm
- ◆ LA38.S2: 300mm stroke length ONLY