

## 3-3 LA30



LA30 is a 2 motors built-in actuator, a single actuator can operate 2 opposite movements, mainly applied on home style beds which only have back and leg movement functions

### Features:

- Simple external structure and easy installation
- Low noise
- Solid structure and durable feature
- Main power voltage: AC220-240V 50Hz; AC100-120V 60Hz
- Duty cycle max. 10% or 6 min. rest per hour in continuous use
- Ambient temperature: +5°C to +40°C
- Standard protection level : IP20
- Low electricity consumption, high thrust 4000N x2 <Max. thrust 6000N x2 >
- Sliding safety lid
- Color: Grey-white

### Options :

- Can combine with LA33 ( Max. 2 pcs) for elevating and tilting of bed
- Can use 9V alkaline battery as spares when there are shortage of interior electricity, but only work for downward movements

**LA30 Ordering Example :**

**LA30.0 - 84 - 64 - 2UL + 22**

**Mains Voltage** ( Power voltage input )    12 = 120V                    22 = 220V

**Cables**    2EU : 2P , straight , EU cable  
              2JP : 2P , straight , JP cable ★  
              2UL : 2P , straight , UL cable  
              2AUS : 2P , straight , AUS cable ★  
              2IN : 2P , straight , IN cable ★

**Leg stroke** (Start Point, Stroke)  
                  48 : 0, 48 mm      64 : 0, 64 mm      69 : 0, 69 mm

**Back stroke** (Start Point, Stroke)  
                  74: 10, 74 mm      78: 0, 78 mm      84: 0, 84 mm

**Additional actuators** (The selection of functions of addition actuator)

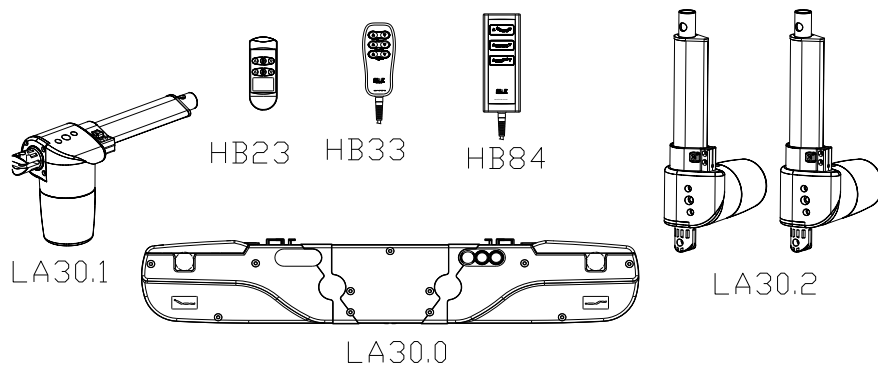
- 0 : No additional actuator
- 1 : 1 additional actuator (LA33)
- 2 : 2 additional actuators (LA33)

**Actuator type**    **LA30**

The 「★」 signal is for special specification.

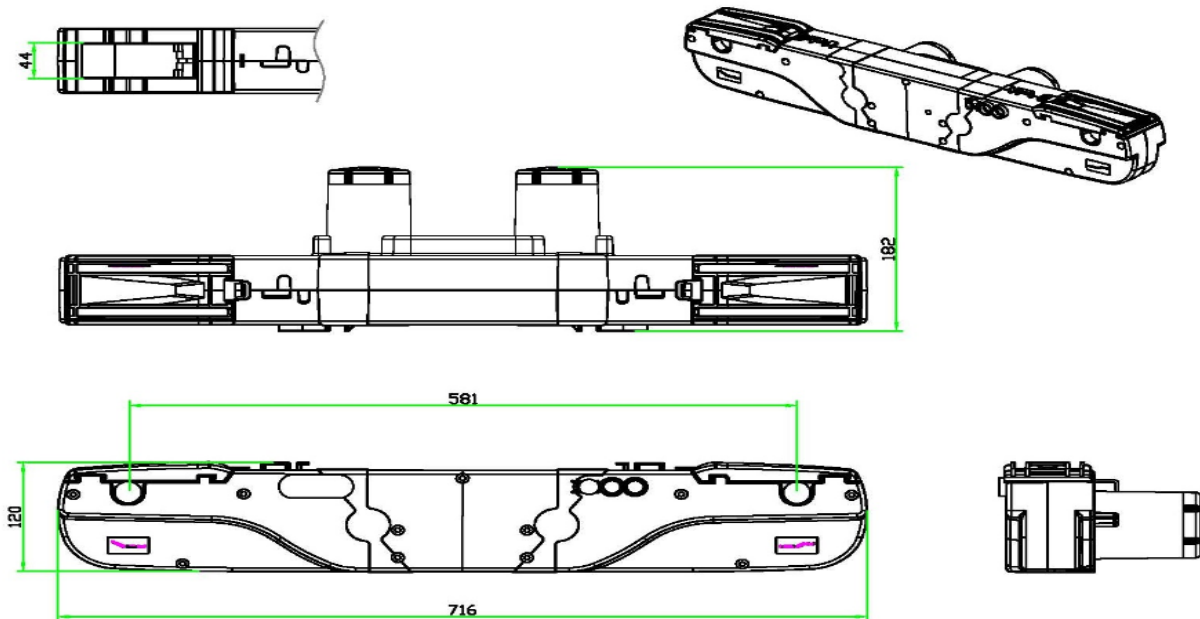
# LA30 Feature and Combination

Handset \ Actuator	HB23	HB33	HB84
LA30.0	◎		
LA30.1		◎	
LA30.2			◎



## Dimension :

### LA30



**Notice :**  
 Please contact R & D department of LINKAN A/C for the structure of bed when first time purchase LA30.