

## 5-18 HS



HS-L



HS-S-P



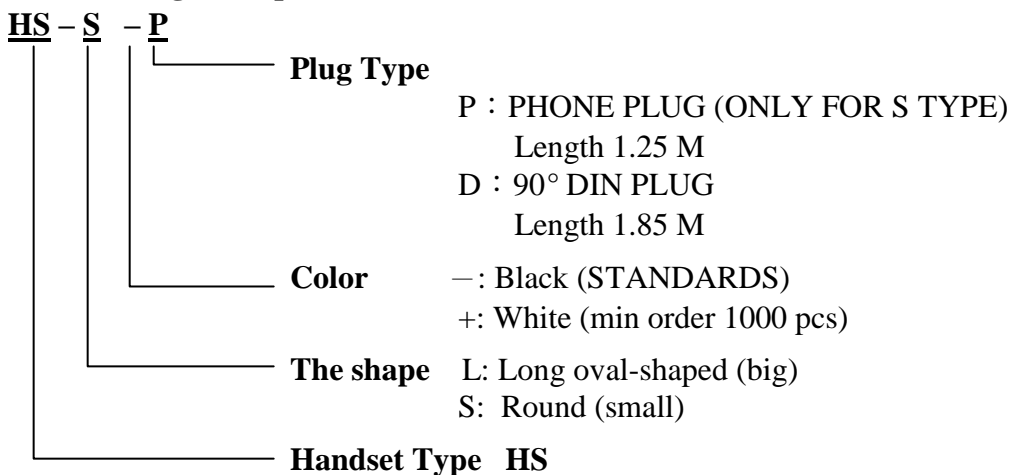
HS-S-D

HS handset is for electrical sofa, it can be fixed on the sofa.

### Features :

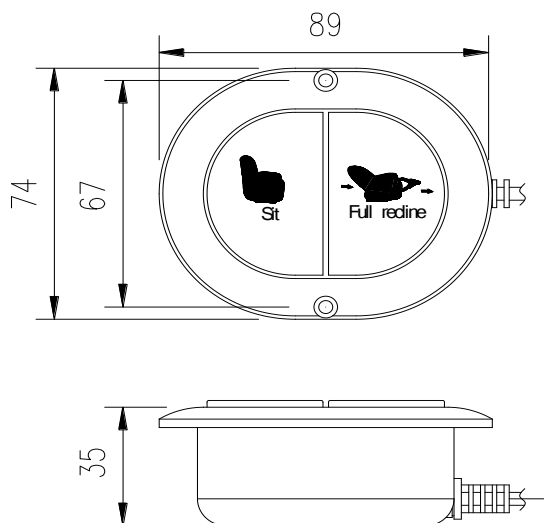
- Simple and oval shape design.
- Endurable for impaction. With long life-span.
- Cheaper Price.

### HS Ordering Example :

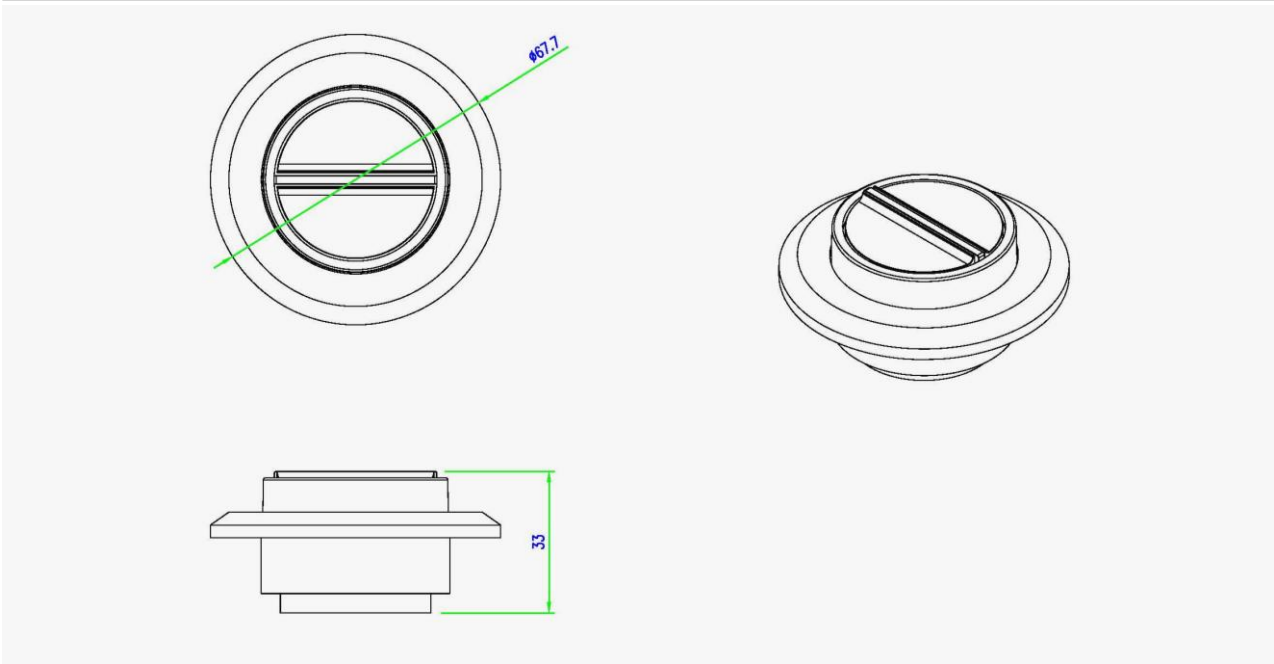


### Dimensions :

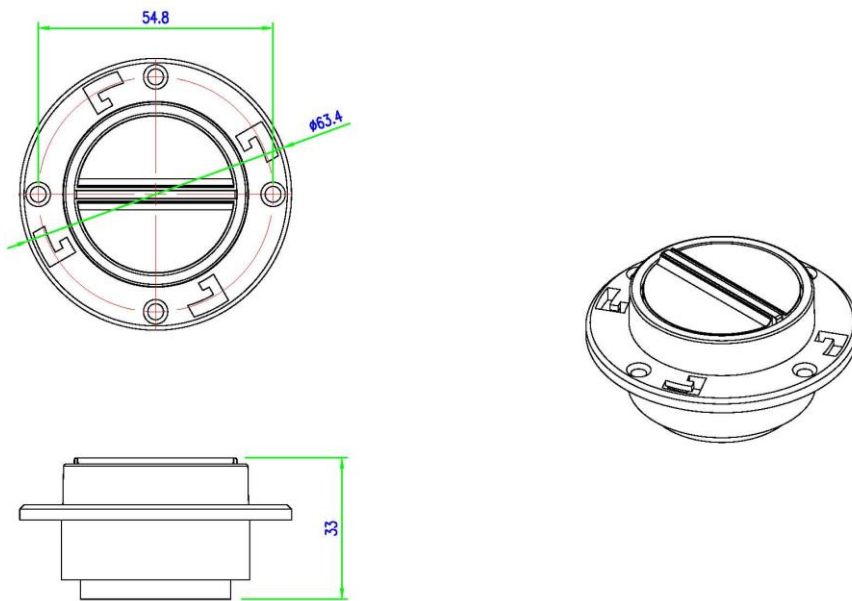
(1).HS-L:



(2).HS-S:



The Dimension of the HS-S



**Notices :**

- ◆ **HS-L/HS-S-D can be used with LA36**
- ◆ **HS-S-P must be used with CB08 or CB10-C.**