

5-14 FLS



FLS is foot limit switch, it is designed with huge stepping panel for user easy to operate, it can be connected by more than 2 FLS to operate the same number of actuators, Max. 4 pcs of FLS.

Features :

- Simple and practical design.
- Protection class: IP 66
- The user can control one actuator with 2 or above FLS by series connection, or control actuators with 2 or above FLS.
- Endurable for impaction. With long life-span
- Low price

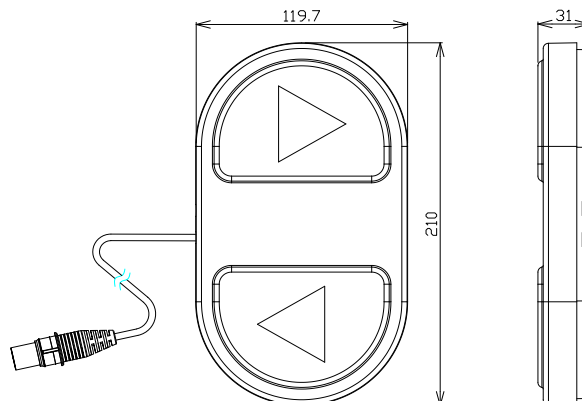
FS Ordering Example :

FLS + **3** = **Switch Function**
0–One Axle
1–Two Axles
2–Three Axles
3–Four Axles

Color:
– Black
+ Gray-white

FLS : Foot Limit Switch

Dimensions :



Notice :

- ◆ Can be used with CB02 、CB09 、CB17 、CB18
- ◆ Can control up to 4 actuators with 2 or above FLS by series connection