



CB12 is a low voltage control box with advanced technology. CB12 can control up to 3~4 actuators. Series of built-in safety and other options makes it ideal for the applications with both manual and electrical operation.

Features:

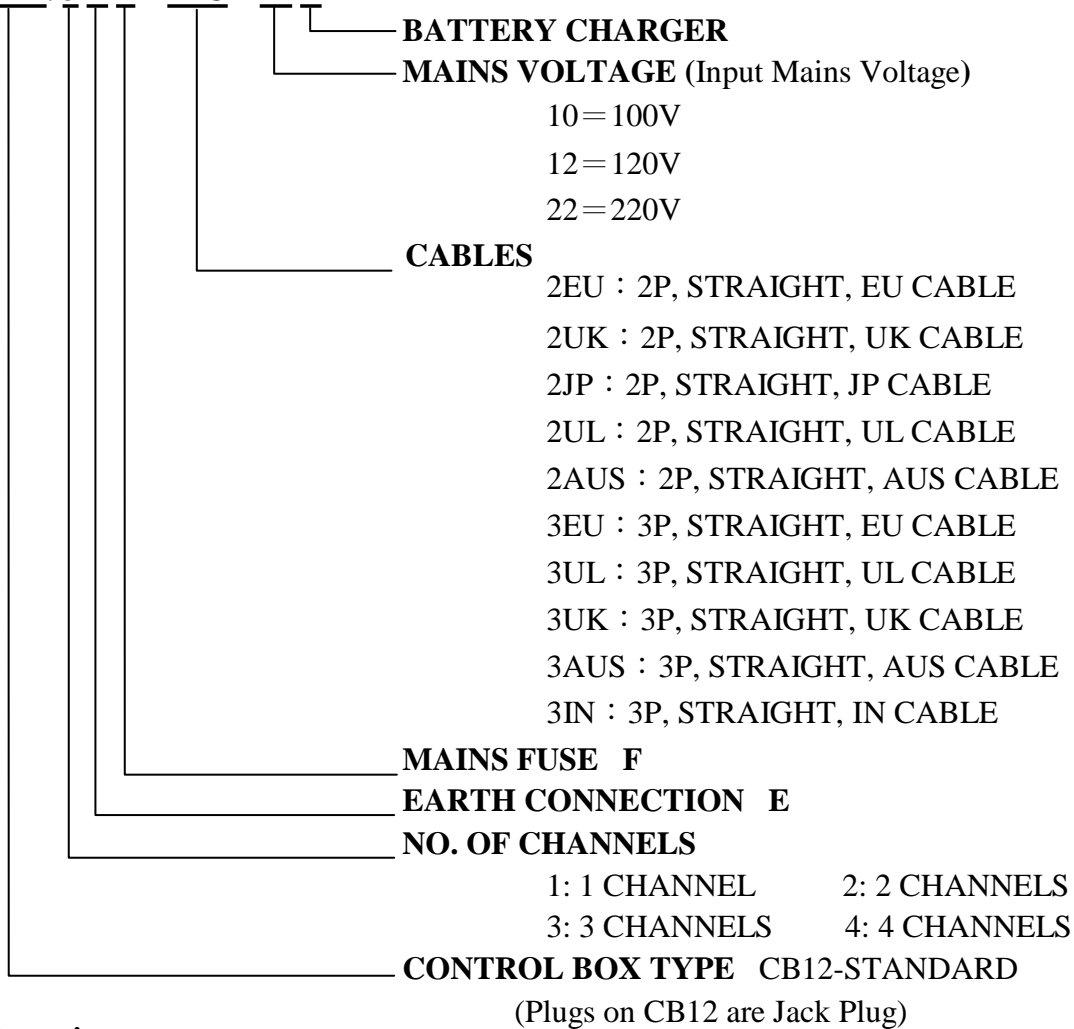
- Max. for 3~4 actuators: Actuator type: LA27 and LA37 (with Jack plug)
- Mains voltage: 220-240/ 100-120V AC; 50-60Hz
- Dual output voltage (Low load, Low voltage; High load, High voltage)
- Compact high power toroidal transformer ensures low power consumption and low electromagnetic emission
- Electronic overload protection (EOP) common for all channels
- DIN socket for handset HB8X, ACP or FS, FLS
- Exchangeable mains cable
- Duty cycle: Max. 10% or 6 min./ 1 hour in continuous use
- Ambient temperature: +5°C to +40°C
- Protection class: IP54
- Color: black

Options:

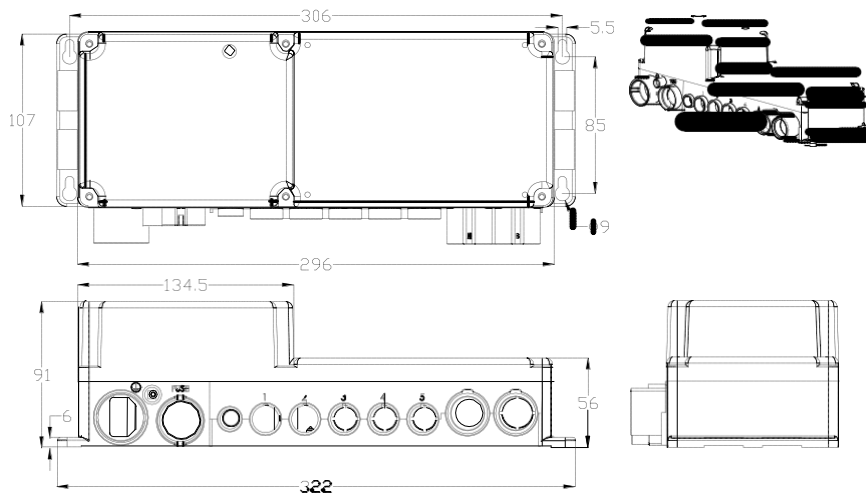
- Class 1: earth connection
- Mains fuse can be replaced from the out-side
- Protection class: IP66
- Built-in T-cable device needed for operating two handsets simultaneously
- Battery back-up: battery sets (BA16)

CB12 Ordering Example:

CB12. 3 E F - 2EU - 22 B



Dimensions:



Notice:

- ★ Only used with LA27 and LA37 actuators which are with Jack Plug
- ★ Built-in T-cable device needed when operating two handsets simultaneously or one handset and one ACP simultaneously
- ★ While mains shortage, there is warning buzzing.

Specifications are subject to change without prior notice. It is the responsibility for the product users to determine the suitability of LINKAN A/C products for a specific application. LINKAN A/C will be responsible for replacing/ repairing defective products covered by the warranty if promptly returned to the factory. We won't undertake any responsibility except repairing.