

4-3 CB04



CB04 is simple type control box, it works with 1 actuator with T-plug and 1 function handset to have 1 function controlling, it is applied on the 1 function sofa and electrical home beds.

Features:

- The volume is tiny and space-saving.
- The plug type and the length could be replaced by the existed standards mode.
- The T-plug cable could be extended.
- The actuator plug must be in T plug.
- Power Indicator Light.
- Main voltage: AC 100– 240 1.5A 50-60HZ.
- Output voltage is DC 29 V.
- Output electric current: MAX 2Amp.
- Duty cycle: Max. 10% or 6 min./1 hour in continuous use.
- Ambient temperature: +5°C to +40°C.
- Production Class: IP51.

CB04 Ordering Example

CB04 - 2EU - 100 - 100

ACTUATOR EXTENSION CABLE LENGTH

0: 0 CM (without extension)

100: 100 CM

200: 200 CM

POWER CABLE LENGTH

100: 100 CM

200: 200 CM

COLOR —: BLACK

+: WHITE (min order 1000 pcs)

CABLES

2EU: 2P, STRAIGHT, EU PLUG

2UK: 2P, STRAIGHT, UK PLUG★

2JP: 2P, STRAIGHT, JP PLUG★

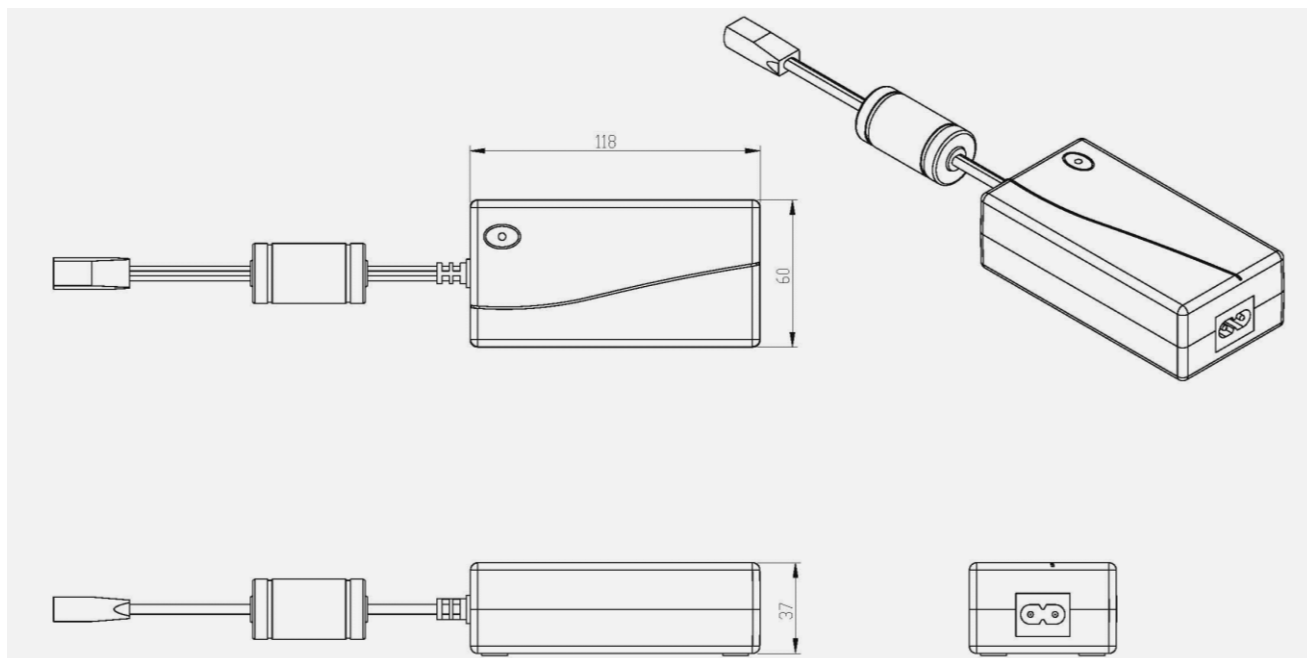
2UL: 2P, STRAIGHT, UL PLUG

2AUS: 2P, STRAIGHT, AUS PLUG★

CONTROL BOX TYPE: CB04-STANDARDS

(Actuator socket on CB04 is for T Plug)

Dimensions :



Notice:

- ◆ CB04 could only work with one single actuator.
- ◆ To recommend to use with LA36 actuator.